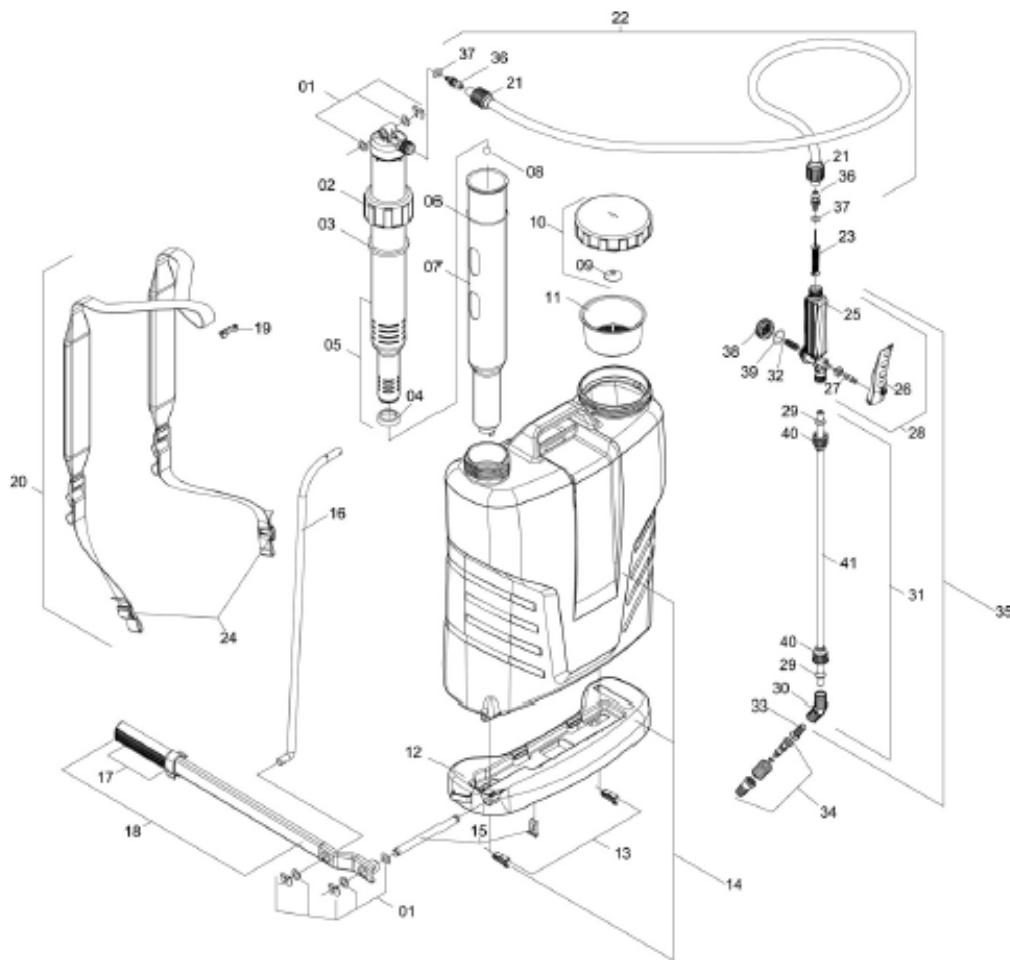


# SP312 & SP416 Parts Breakdown



N.	P/N	DESCRIPTION	Qty	N.	P/N	DESCRIPTION	Qty
1	1198800	Washers and cotter pins set (repair)	1	30	635276	Elbow with cone packing	1
2	1168408	Gasket holder SP	1	31	1168423	Lance LP-3	1
3	1168409	Gasket (felt)	1	32	1180613	Spring	1
4	1168407	Piston cup (Santoprene™)	1	33	592139	Nozzle filter (40 mesh)	1
5	1168406	Chamber with piston cup	1	34	325787	Blue adjustable cone nozzle	1
6	323576	O-ring ORI-033	1	35	1185540	Lance LP-3 (complete)	1
7	1168405	Chamber cylinder	1	36	942201	Outlet tube	2
8	358234	Stainless steel ball 1/2"	1	37	231845	O-ring 110	2
9	560573	Lid diaphragm	1	38	229732	Trigger valve cap	1
10	1168411	Lid with diaphragm SP	1	39	229781	O-ring 019	1
11	1168414	Strainer SP	1	40	915744	Screw cap	2
12	1168396	Tank base	1	41	1167985	Lance tube LP-3	1
13	1168397	Base lock	1				
14	1176796	Tank SP 312 with lock	1				
14A	1176808	Tank SP 416 with lock	1				
15	883108	Axle with lock	1				
16	1198602	Pumping rod (black)	1				
17	1194579	Handgrip assembly	1				
18	661363	Lever assembly (black)	1				
19	635664	Strap lock	1				
20	1176504	Complete strap SP (soft shouder pad)	1				
21	942193	Screw cap S20	2				
22	1168403	Hose assembly SP	1				
23	1168418	Filter LP-3	1				
24	502757	Strap buckle	2				
25	1168420	Trigger valve body LP-3	1				
26	1168421	Lever assembly LP-3	1				
27	1168422	Trigger valve LP-3 complete	1				
28	1168419	Trigger valve assembly LP-3	1				
29	909309	Cone packing	2				